

new from gSource

gSilicone compact ratcheting handle

Get a sure grip with our new gSilicone compact ratcheting handle.

gSource gSilicone handles are ergonomically designed to provide a comfortable grip during surgical procedures.

- Biocompatible silicone helps to prevent slippage and provide a secure grip. Viable alternative to materials like phenolic, aluminum and plastic.
- Excellent resistance to alkaline, saline and acidic solutions.
- Available in seven standard biocompatible colors (black, blue, red, green, yellow, orange, gray) or a custom color of your choice.
- Non-fading vibrant colors withstand repeated autoclaving.
- Stainless steel turning knob on handle ends.
- Solid stainless steel core.
- Ratchet mechanism provides clockwise and counter-clockwise action and minimal play.

Custom options:

- connection
- handle color
- handle shape
- with or without ratcheting
- with or without quick coupling
- with or without working end
- with or without your logo

gS 86.9304 gSilicone handle, 5 1/2", ratcheting, SQC, with stainless steel turning knob, green

For the gS part number on above pattern in another standard color, please contact us.

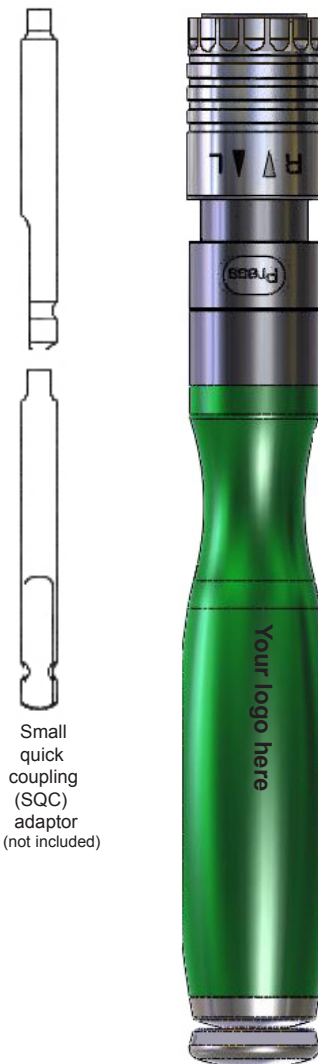
gSilicone Compact Ratcheting Handle

For more information contact:

gSource, LLC
19 Bland Street
Emerson, NJ 07630

P (800) 978-1119
(201) 599-2277
F (201) 599-3306
E email@gSource.us
www.gSource.us

© gSource 2009
Printed in U.S.A.
gSilicone ratcheting handle OEM.idd.0909 01.1463.OEM



Small
quick
coupling
(SQC)
adaptor
(not included)

gS 86.9304

gSource®